



HORSTMANN



CHANNELPLUS H47XL SERIES 2 Electronic Programmer

A 4 channel version of the ChannelPlus programmer for larger dwellings, featuring zone control of Hot Water and Heating as well as many other zoning applications including Underfloor Heating.

Back-lit LCD display

Preset clock

Automatic Winter/Summer time change

Simplified menu driven programming

Full 7 day operation over 4 independent channels

5 year warranty

**Horstmann.
Together,
we're in control.**



Horstmann.
Together,
we're in control.



DISPLAY SHOWING ZONES 1,2,3 and 4



SPECIFICATION

CONTACT RATING
 3 (1) Amps 230V AC

CONTACT TYPE
 Micro-disconnection changeover

Type 1 control

SUPPLY
 230V 50Hz

OPERATING TEMPERATURE RANGE
 0°C to +40°C

BATTERY TYPE
 Lithium

CASE MATERIAL
 Thermoplastic, flame retardent

DIMENSIONS
 101mm x 163mm x 37mm

DISPLAY
 Back-lit liquid crystal

CLOCK
 24 hour or 12 hour AM/PM

DISPLAYED TIME ADJUSTMENTS
 1 minute steps

SWITCHED TIME ADJUSTMENTS
 10 minute steps

PROGRAMME OPTIONS
 ON, OFF, All Day, Auto, Holiday

OPERATING PERIODS PER DAY
 Three for each channel

OVERRIDE (EACH CHANNEL)
 1 or 2 hour boost
 1 or 2 hour extension to ON period

Instant advance

MOUNTING
 9 pin wall fixing plate

DOUBLE INSULATED
 Yes

ENCLOSURE PROTECTION
 IP 30
 Pollution Degree 2

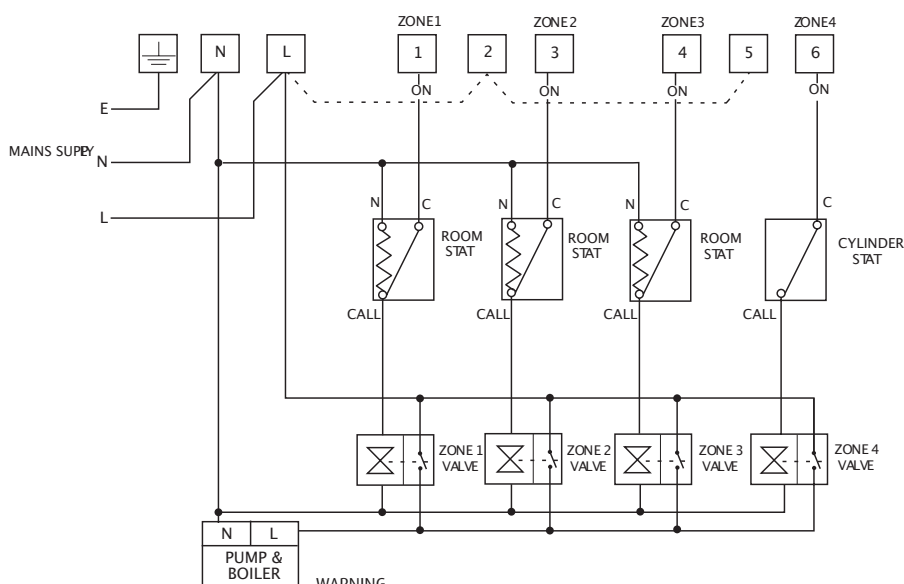
CHANNELPLUS H47XL

A user friendly 4 channel programmer designed for domestic use, providing advanced, easily programmed features.

The latest Building Regulations Domestic Heating Compliance Guide requires heating zones that exceed 150 sq m to have independent time and temperature control as well as separate hot water zones. These currently apply to new build domestic dwellings.

The display can be configured by use of the menu button to show different headings for each channel.

4 Zone Heating System with H47XL



WARNING

This diagram is schematic and should be used as a guide only. Please ensure that all installations comply with the current IEE regulations. When used to control mains voltage, (as diagram shows), Terminals L, 2 and 5 must be electrically linked by of a suitable piece of sleeved conductor. If the ChannelPlus H47XL is being used to control low voltage systems then these links MUST NOT be fitted.



HORSTMANN

Horstmann Controls Limited, South Bristol Business Park, Roman Farm Road, Bristol BS4 1UP.
 Tel: 0117 978 8700 Fax: 0117 978 8701 E-mail: sales@horstmann.co.uk Web: www.horstmann.co.uk
 A division of Horstmann Group Ltd. Registered office: PRI House, Moorside Road, Winnall Trading Estate, Winchester, Hampshire SO23 7RX.
 Registered in England No. 457553
 ©March 2009: Horstmann Group Ltd. All rights reserved. The company reserves the right to alter product specifications without notice.